

We assume a guarantee — according to our manufacturer guarantee statement — of 5 years for our products, provided that it can be demonstrated that the product was purchased and mounted through a franchised specialist craftsman. The guarantee period begins on the date of delivery from our plant. The statutory warranty period is contained in the guarantee period. Electronic components and lighting articles are omitted from this guarantee statement.

Even the most advanced printing technologies cannot fully reproduce the exceptional finish and subtle colour schemes of our products. Only original KEUCO products can provide you with an optimum impression. These are on display in stores catering to the special sanitary trade.

No part of this brochure may be reprinted or duplicated, even in part, without our explicit consent and without specification of the source manufacturer KEUCO GmbH & Co. KG, P.O. Box 1365, 58653 Hemer/Gemany.

We accept no liability for changes resulting from technical advances and necessary modifications of design and colour, nor from print errors.

Our products are exclusively available through sanitary product wholesalers.

Concept, design,
text and lithography: Kontrast
Communication Services GmbH,
Düsseldorf
Setting/product photography:
Studio CASA, Münster
Printing:
Meinders & Elstermann GmbH &
Co. KG, Belm (Osnabrück)
Printed on GALAXI Keramik.
Made by Zanders.
Supplied by the Papier Union.

EDITION

Atelier
A new concept of space



Spatially compelling

Traditional living concepts pale in the brilliance of new possibilities. Influenced by today's different lifestyles, the boundaries between rooms are redefined. A greater emphasis on individuality calls for entirely new approaches. Here EDITION Atelier establishes milestones of functionality and flexibility. With a design that is as exciting as modern living itself.







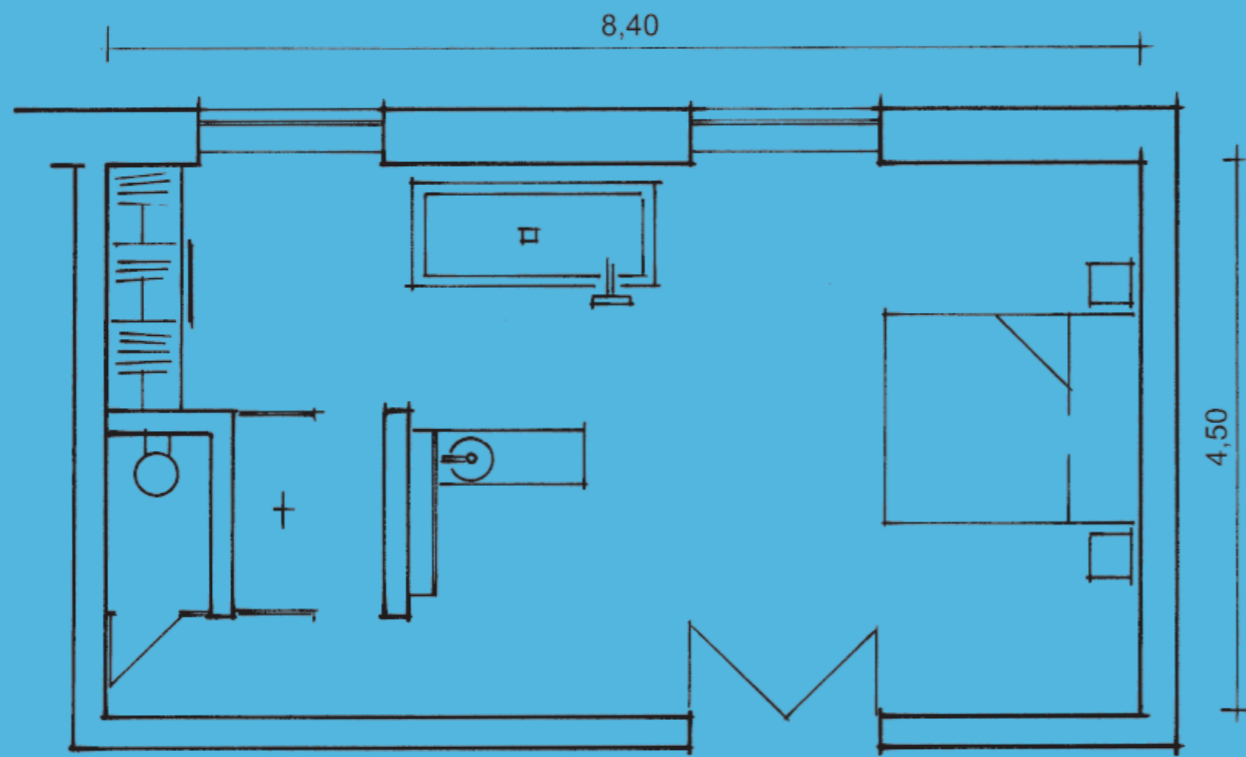
Room re-interpreted





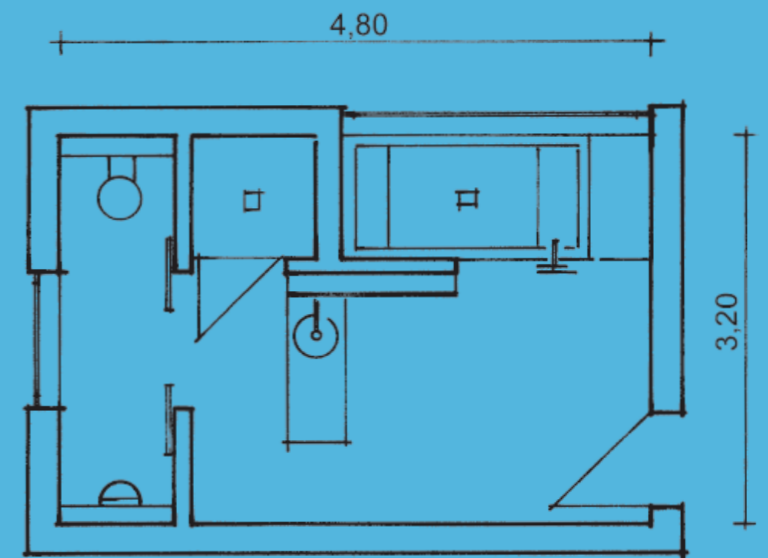
The versatile positioning of the elements in the room emanates a generous, open feeling in every setting. The indirect illumination wonderfully underscores the elegant design and the uncompromising quality of the materials. Integrated connections satisfy the demand for forward-looking functionality.



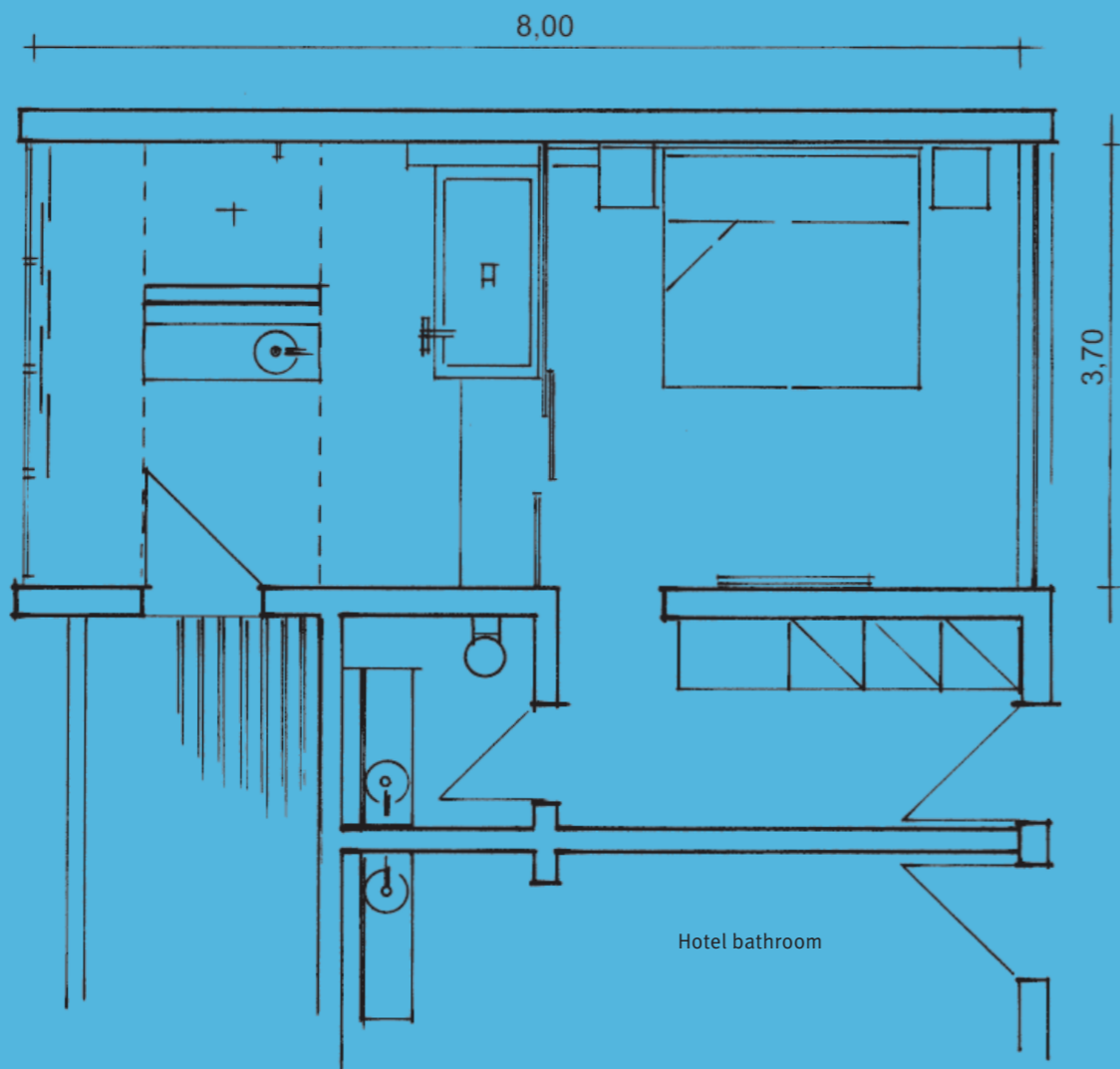


Loft bathroom

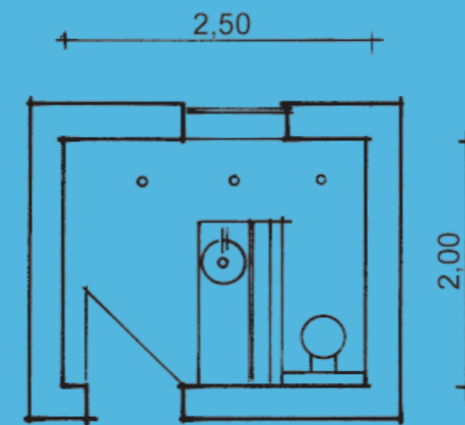
EDITION Atelier clearly marks a new dimension in architecture and interior design. With its enormous degree of design freedom, the concept is first-choice for a multitude of different applications, covering the range from commercial furnishing to the sphere of private living. Whether in the midst of spa grandeur, in a trendy designer hotel, a spacious urbane loft or a luxury apartment: conventional perceptions of bathroom design are invariably put aside and boundaries are redefined.



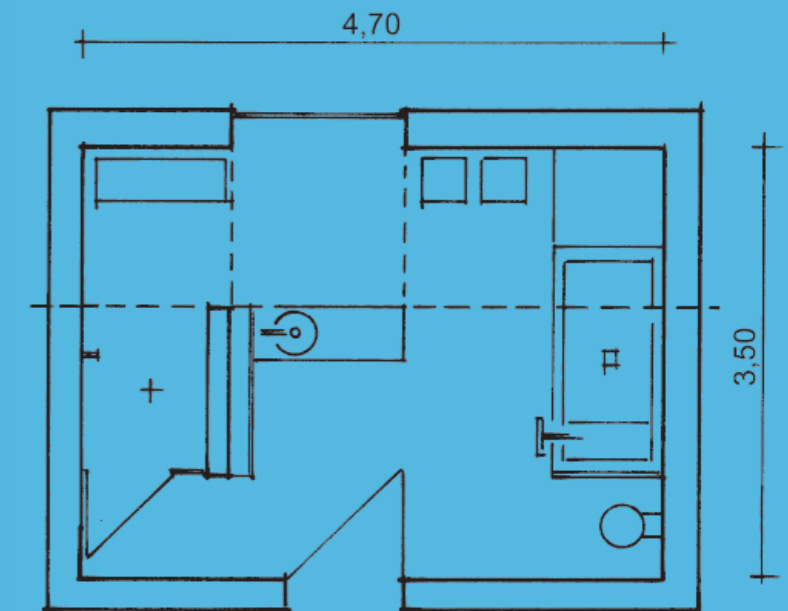
Private bathroom



Hotel bathroom



Guest bathroom



Private bathroom with slanted ceilings



Mirror cabinet system



EDITION Atelier gives new meaning to the concept of the mirror cabinet. The result: an extraordinary mirror cabinet system with surpassing usability – for example, through the spacious full-length mirror, flexible storage solutions and the numerous intelligent details.

Simple and ingenious: when open, the double-sided mirrors on the door above the sink serve as a wash basin mirror. Cosmetics and other toiletries are always conveniently close at hand. The same goes for the soap dispenser integrated into the mirror. The large centre mirror of the wall system slides to the right to reveal the contents of the shelves behind it.

An optional RDS radio integrated in a shelf is a further special feature of this highly functional mirror cabinet system. There is even an apothecary cabinet on the right-hand side: an innovative space-saver that offers more storage room for toiletries.





Fittings



The refreshing clarity of the design is also on display here too. Both the bath tub fittings and the wash basin fittings are free-standing, which offers added planning flexibility. The days of stereotyped bathroom design solutions are over. The pictured bath tub fitting has a single lever mixer. The tap sports two rings that are built-in regulators: turn one for water flow and the other to set the temperature. The striking shower unit also blends seamlessly into the design concept.





Accessories



Floor lamp, chrome-plated,
with textile shade.



Free-standing towel rail,
chrome-plated,
with round base.



Side table with porcelain top.

Optionally available: integrated soap dispenser
for the mirror cabinet system.



Foaming soap dispenser and stacking accessory
(four-piece storage set), chrome-plated.



Foaming soap dispenser, chrome-plated.



The elegant double toilet roll holder ensures that a spare roll is always at hand. The timeless simplicity of EDITION Atelier is again incorporated in the design of the toilet brush set.



Surfaces

With five surface finishes to choose from, EDITION Atelier offers planners more flexibility to create an individual atmosphere for every bathroom.



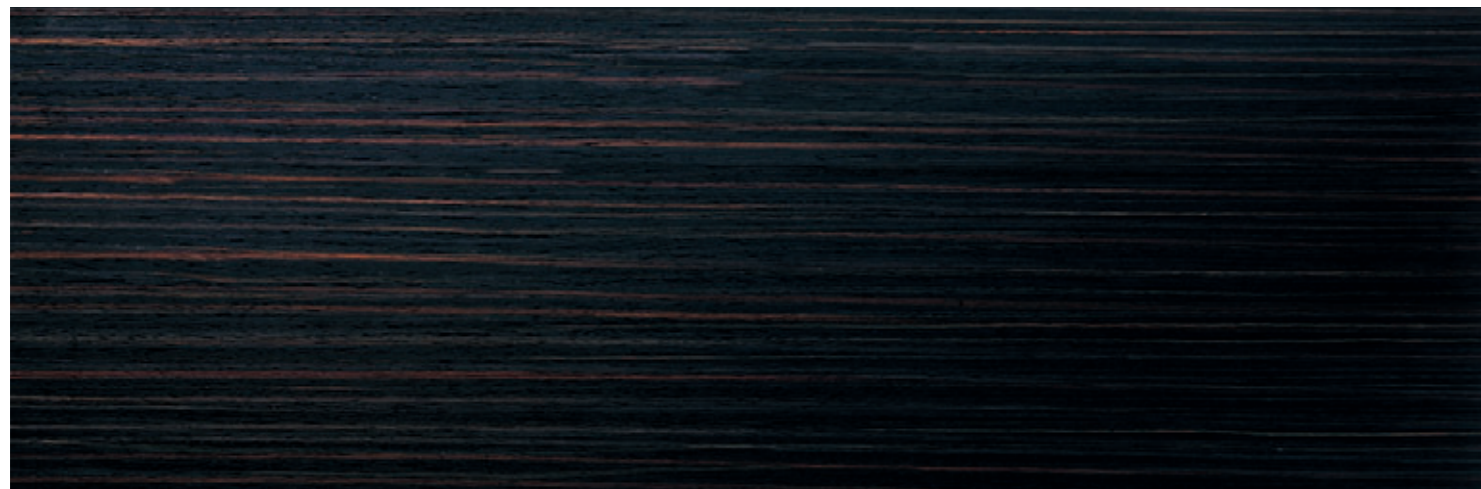
Sahara lacquer



Oak veneer



Bordeaux lacquer (RAL 3007)



Ebano veneer



Olive lacquer (RAL 7003)

Fronts (veneer)

Oak veneer

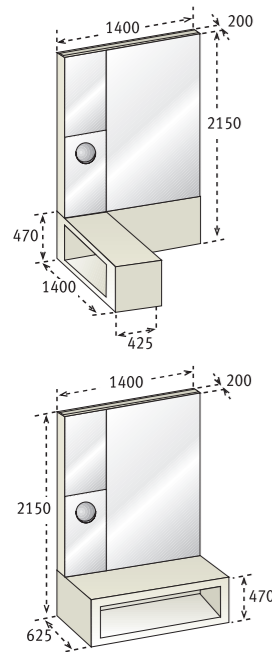
Ebano veneer

Fronts (lacquer)

Sahara lacquer

Bordeaux lacquer (RAL 3007)

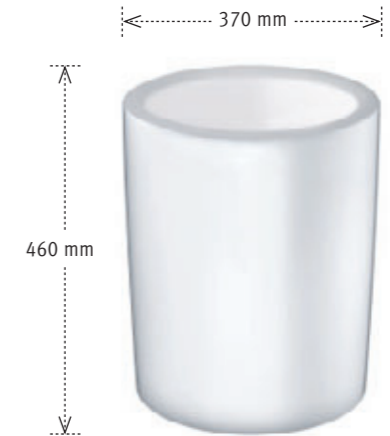
Olive lacquer (RAL 7003)



16301/16302
Mirror cabinet system
 with wash stand worktop on the left or right, apothecary cabinet on the left or right
 Optionally
 • with integrated RDS radio
 • with integrated soap dispenser
 • with integrated RDS radio and integrated soap dispenser
 (see pages 18-19)



16303
Mirror cabinet system
 with washstand worktop lengthwise, apothecary cabinet on the right
 Optionally
 • with integrated RDS radio
 • with integrated soap dispenser
 • with integrated RDS radio and integrated soap dispenser



16360
Wash basin top
 made of ceramic, alpine white, without hole, with positive drain

Product overview

surface chrome-plated



56002
Wash basin free-standing fitting
 mixing technology with ceramic sealing gaskets, for free-standing mounting, without pop-up waste projection: 250 mm height: 700 mm

56020
Single lever bath tub mixer
 for free-standing mounting, cartridge mixer with ceramic sealing gaskets and temperature limiter, complete with hand-held rod shower head and shower hose 1250 mm



56028
Shower unit
 consisting of:
 • plate shower head with rain jet or
 • shower head with aerator jet
 • standing shower head
 • shower hose 1600 mm
 • shower bracket with adjustable tilt angle



54972
Single lever mixer
 with in-wall installation, switch cock, suitable for i-box universal, consisting of:
 handle, sleeve, rosette, diverter, function block



54974
Thermostat battery
 with in-wall installation, stop and switch cock, suitable for i-box universal, with thermal element, consisting of:
 handle, sleeve, rosette, function block with control unit



54970 (without image)
i-Box universal
 basic unit for all concealed fittings

56020 (without image)
Installation attachment
 1/2" for floor mounting

surface chrome-plated



16093
Floor lamp
with washable chintz lampshade, pull switch, connecting cable, 3.50 m length (for 3 x 60 watt/E27) lampshade Ø: 500 mm height: 1825 mm



16080
Towel rail
standing model
width: 800 mm
height: 850 mm



16069
Stacking accessory
consisting of:
• 3 containers with plastic insert
• 1 cover/tray
Ø 103 mm
height: 320 mm (stacked)



16052
Foaming soap dispenser
standing model with plastic insert and pump, includes initial supply of soap (2 x 250 ml), holds approx. 150 ml

Product overview



16087
Porcelain tray
Ø 400 mm
height: 70 mm



16086
Side table
porcelain top
Ø 400 mm
height: 710 mm



16062
Double toilet roll holder
for roll width of 100/120 mm



16064
Toilet brush set
standing model
complete with glass insert, brush and spare brush