

New in 2015



**NOW ALSO
DIGITAL.**





Now also digital.



Now you can also discover everything you need to know about the KEUCO News 2015 via an App. Why not download it now?

EDITION 400 10-59

IXMO 62-69

ROYAL MATCH 70-75

iLook_move 76-79

FITTINGS TECHNOLOGY 82-87

PRODUCT OVERVIEW 90-112



Innovative ideas, pure design, future orientated technologies – in 2015 KEUCO is showcasing a wide range of new possibilities which offer your bathroom design both aesthetic and practical benefits.

With the newly developed EDITION 400 bathroom furnishing, a ROYAL MATCH universal mirror cabinet and innovative fittings technology, KEUCO is pushing new boundaries in the area of bathroom planning. Our guiding principle of “sensual design and purposeful functionality” is now reflected more than ever across the entire range. By reducing that which is essential, the new products are distinguished by minimalist design and progressive technology. Consequently the bathroom design looks extremely pure and unobtrusive and the everyday functionality seems exceptionally easy.

Experience the skilful synergy which is comprised of emotionality and rationality and allow yourself to be inspired by the concentration on the essentials.



Engelbert Himrich,
Managing Partner



Hartmut Dalheimer,
Managing Director

INTERVIEW WITH DOMINIK TESSERAUX, TESSERAUX + PARTNER

The design office in Potsdam, Germany played a leading role in the development of the 2015 new products, the EDITION 400 and IXMO, from KEUCO.



Mr Tesseraux, how can we recognise outstanding design?

Dominik Tesseraux: Good design is not only defined by formalities. For us, I can say: We do not develop any products for the sake of producing something new, rather we always want to achieve a meaningful improvement.

How do you approach the task of designing a new edition?

D. T.: At KEUCO, we are in the privileged position of being able to approach design tasks in an extremely free and flexible manner. We look for useful innovations and additions for the respective target group and portfolio. Therefore, the first steps are often very analytical, systemic and also conceptual in nature. With EDITION 400, the aim is to approach existing architectures in an uncomplicated and flexible way. The clearly represented board is the DNA of the new series, which designs both the product made to measure and also the complete article. Here, the classic center-solution has been developed out of the flexible approach.

The EDITION 400 offers a comprehensive and extremely wide range with mirror cabinets, furniture, fittings and accessories – what is the creative feature which binds everything together?

D. T.: A washbasin is not a mirror cabinet and it is designed quite differently according to its defined purpose. The total

aesthetic is a result of this interplay. There is furniture with its pure impression on the one hand and fittings and accessories on the other hand which display emotional accents.

Does the EDITION 400 reflect a superior design trend?

D. T.: Currently we can observe the fact that more and more individual creative freedom is expected, as is the case with architectural products. Interior designers need opportunities in order to be able to design rooms in a more individual manner. The amount of people wishing for a more open and more emotional design language is forever increasing. Authentic materials which also have a haptic quality are taking the place of cool, smooth and laminated surfaces. Solid wood, metal, glass: Different styles are mixed into something unique, something new.





Many intelligent functionalities are contained in the EDITION 400 products. Do new technical possibilities offer more more freedom in the design process? Or do they restrict the room for manoeuvre precisely because they must be integrated?

Dominik Tesseraux: We mostly attempt to give technical and also innovative products an external design which is as eye-catching as possible. We think differently here. We want to approach the products from the point of view of the user and focus on the essential characteristics. The question as to how innovative the product is per se is not relevant, moreover it is the question as to what is important and how the innovation can be integrated in a product which is convincing in its aesthetic and in functional terms.

Do you have a specific target group in mind looking at the development of the EDITION 400?

D.T.: No. This is also connected to the previously mentioned eclecticism which the EDITION 400 consciously has. Even

though it has a clearly visible KEUCO character, the edition can be configured in an extremely individual manner and can be combined with a variety of interior styles. As a result, this addresses a wide variety of target groups.

You have been working with KEUCO for many years – what do you value about the KEUCO philosophy?

D.T.: The managing director of KEUCO, Mr Dalheimer, sometimes expresses this as follows: KEUCO products should combine meaningfulness and sensuality. And this claim is actually put into practice. A great deal of value is put into the smallest details, always with a consequential design orientation in mind. The company is open to new approaches without losing sight of its own roots.



EDITION 400

OUR IDEA OF FREEDOM OF DESIGN



PASSION MAKES THE DIFFERENCE

With EDITION 400, KEUCO is setting new trends in modern bathroom design. The design-oriented bathroom furnishing concept has a strong focus on individualisation. Every single one of the products in the series – from the bathroom furniture to the washbasins, the fittings to the accessories, the mirror cabinets to the light mirrors – beautifies with its uniquely delicate and simultaneously sculptural language of form. Versatile combination potential, colours and materials offer a wide spectrum of possibilities for intelligent, room-specific arrangements. Useful functions add order and convenience to the bathroom and establish a unique ambience. Distinguished with the "Design Plus" seal of quality, EDITION 400 – conceived by the design agency Tesseraux + Partner in Potsdam – sets new standards for the bathroom of the future.



MODULARITY WHICH HAS BEEN THOUGHT THROUGH



Fully in accordance with preference and demand, but always extremely clear: Versatile furniture and washbasin combinations offer a room-specific bathroom design and lifestyle in the bathroom. Thanks to the modular concept and the large variety of colours and materials of EDITION 400, there are no restrictions to personal creativity for planning your bathroom – regardless whether it's for families, couples or singles.

SMALL AND LARGE DREAM BATHROOMS



Lots of freedom for individual planning is offered by the EDITION 400 worktop solution in custom sizes ranging from widths of 700 mm to 2100 mm. With two worktop depths of 535 and 450 mm, it is possible to create your own individual single or double washbasin designs for small or large bathrooms. This is what top-class dream bathrooms are like. Brilliant or satin glass fronts add an extravagant flair.

BATHROOM DESIGN OF 1001 TYPE

At the heart of EDITION 400 is the exclusive washing area. The single and double washbasin solutions can be combined with the ceramic basins in widths of 600 mm or 800 mm, for versatile planning and design. Further combination possibilities with EDITION 11 or ROYAL 60 washbasins from KEUCO in their soft or rectangular styles open up an extremely wide choice of creative wash area designs with EDITION 400 – perfectly matching in combination with the respective mirror cabinets and light mirrors.







The wide range of furniture for the washbasin is rounded-off with either wall-mounted or standing side units, and middle and tall units. The wide range of front surfaces leaves not wish unfulfilled: For example, structure lacquers are available in different colours, with special surface textures which simulate natural materials. Noble, genuine wood veneers create a sensuous, natural atmosphere.



GRAND DESIGN IN A SMALL ROOM



The large range offered by EDITION 400 thus opens up enormous potential for combinations and planning, ranging from small solitary elements through to large washbasin solutions, which can be adapted individually to the interior architecture conditions. In addition to the generous amount of intelligently subdivided storage space, the furniture offers stylish comfort right down to the smallest detail.



CLEAR ORDER WITH LOTS OF ROOM



The reduced size of the external vanity unit provides generous interior storage space. This offers a large amount of storage space with system. The drawer units are available in two heights. For example, the drawers are opened with functional push-to-open technology and closed by means of a soft-close technology. Therefore, everything fits in to the structured geometry without handles and forms a clear architectonic line. The high quality inner compartment of the drawers ensures that everything remains where it belongs.





SENSUOUS SHAPES IN GLEAMING CHROME

DESIGN PLUS
powered by: **ISH**



A characteristic of EDITION 400 is its sensuously beautiful style. The gleaming chrome-plated fittings of the series present themselves like filigree sculptures. Virtually works of art, their extraordinary presence almost makes you forget their actual purpose. Conceived by the design agency Tesseraux+Partner in Potsdam and rewarded the "Design Plus" seal of quality, they are a prominent stylish element in KEUCO's full range of bathroom furnishings.

ELEGANCE MADE IN GERMANY



Perfection in detail is what makes EDITION 400 fittings especially stand out. The washbasin mixers in five sizes with discharge height of 80 mm to 290 mm for all types of washbasins prove this in excellent terms. The adjustable regulator, which cannot be seen from the outside, is a special feature that is integrated in the outlet. Moreover, EDITION 400 offers a range of different washbasin fittings, including a pillar tap, a single-lever mixer with a swivel spout, a wall fitting and a three-hole fitting.





The bath fittings in two different designs give you every reason to relax. In this case, again KEUCO has kept to what is essential – looking at both the four hole bath tub side fitting and the single-lever bath mixer. Ultimately, how you take a bath is a real question of personal taste.



RELAX WHEN SHOWERING



The EDITION 400 fittings for the shower are just as remarkable: Not only is the hand shower sliding rail with hand shower bracket visually dazzling, but it is also extremely convenient to use. With its particularly slender design and normal, soft and massage jet, the hand shower guarantees extremely pleasant showering.



PURE DESIGN – THE LATEST TECHNOLOGY

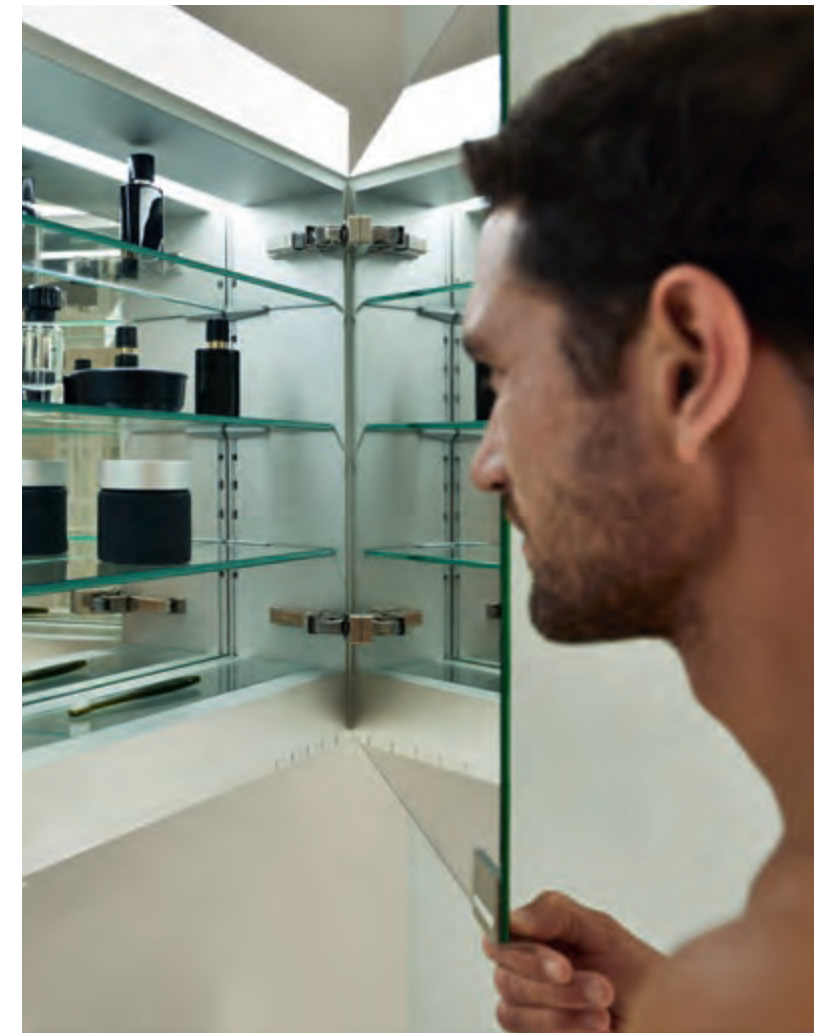


The innovative illuminated mirrors are a special highlight. The EDITION 400 illuminated mirror presents itself with remarkably elegant slenderness and a surrounding aluminium edge. Customized dimensions are available on request. Its secret: A special light-conducting material conducts the light of the LED to the surface and provides the ideal lighting for the room or face at all times. With unobtrusive and intelligent sensor controls the light can be dimmed and the light colour altered in an infinite number of steps: From bright-white daylight for ideal, day-to-day beauty care, right to a warm-white light, ideal for perfect evening make-up or an atmospheric bathing ambience. Moreover in every light situation the LED lighting is glare-free and long lasting, and it also saves energy and is maintenance free.

But the EDITION 400 light mirror can do much more: It is optionally available with mirror heater, which is a practical feature that prevents the mirror from misting up after taking a shower. Of the highest technical standard, the sensor-controlled mirror heater switches off again automatically 20 minutes after being switched on.

STORAGE SPACE MEETS LIGHT TECHNOLOGY

The EDITION 400 mirror cabinet impresses both due to its beauty and its function. The continuous setting of light intensity and light temperature, a consistent reflection of the back and insides of the door, the clear internal lighting, as well as lots of space with an extra storage compartment and integrated electrical sockets make the mirror cabinet a useful and sensual part of your bathroom.





Available in three widths ranging from 700 to 1400 mm, EDITION 400 mirror cabinets open up individual design possibilities for bathrooms large and small. The many surface and in-wall mounting variations allow a generous amount of planning freedom for modern bathroom architecture.

INTELLIGENT USE OF ROOM IN THE WALL



A clear case of aesthetics: The built in mirror cabinet is discreetly fixed into the wall and blends with the room. The external, delicate silhouette does not immediately point to the generous depth of its interior.

Both light intensity and light temperature from daylight to warming light can be gently and continuously controlled, so that you will happily spend a little longer in front of this mirror.





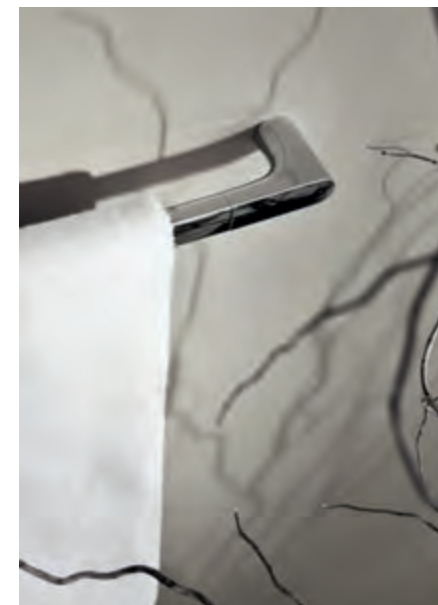
DELICATE DESIGN ACCESSORIES

An aesthetic of filigree design, special functional features in the details, and high quality – this is how EDITION 400 accessories set special accents and create a sensuous atmosphere in the bathroom. With their practical functionality and elegantly slender appearance they pamper the user.

Harmoniously coordinated in design are also the lotion dispenser and tumbler holder – two perfectly matching companions. Combined with a utensil shelf, the accessories add homely comfort to the bathroom.

DESIGN PLUS
powered by: **ISH**





The variety of the products EDITION 400 offers an abundant selection of accessories for a sophisticated bathroom design. The hook segment alone ranges from a double towel hook to single towel hook. One special detail of the double towel hook is that the towel is hung up from the back – so the design is not hidden even when in use.



For an EDITION 400 bathroom with style and a feel-good ambience, the intelligent functionality of the accessories is the icing on the cake.

The shower shelf is made from high quality aluminium and is therefore especially resistant and stable. The shower shelf has the excellent feature of a "docking station" for the glass squeegee, which is not immediately apparent at a first glance. Harmoniously integrated into the design, it prevents shower articles from falling down.



Also around the toilet area, the EDITION 400 accessories are harmoniously integrated into the architectural environment of the bathroom design. With its particularly delicate design, the toilet paper holder demonstrates that it has the potential to become the next new classic. It is swivel-mounted, extremely delicate and can be easily attached to the wall. Even the wall-mounted toilet brush set impresses with its little secrets: On the outside it presents itself in fine, satin glass; inside it has a practical removable holder. The toilet brush hangs hygienically inside and it is concealed behind a lid.





IXMO

LESS IS MORE



IXMO

COMPRESSED FUNCTIONS: 3 BECOME 1



The central concept behind the IXMO fittings for the shower is the concentration of functionality. An IXMO single-lever mixer or thermostat is always combined with multifunctional IXMO elements which, in addition to connections for one, two or three water channels, also compactly unite other functions such as a hose connection, hand shower bracket, stop cock, or selector. This allows the number of products on the wall to be reduced, and enhances the appearance at the same time. Since the individual fitting units can be freely positioned, IXMO offers a high standard of design freedom.

With the IXMO fittings for the shower, KEUCO once again demonstrates its high standard of innovation in design and technology.





At the centre of the IXMO fitting is a single-lever mixer or thermostat which can be combined with multifunctional fitting elements in a coordinated design. The single-lever mixer for the shower is available with its own handle, but it is also available in other design variations to match all KEUCO fittings series.



A QUESTION OF COMBINATION



Another special advantage of IXMO fittings can be found in the wall itself. Here, the fittings system scores points with intelligent innovations: At a variable installation depth of 80 to 110 mm the single-lever mixer and thermostat feature an intelligent depth offset, which always ensures that the fitting elements project out from the wall in an equal appearance as the fine construction set adapts to the basic construction set. Overall a new fusion of design and functionality for the future.



ROYAL MATCH

LUXURIOUS BRIGHT SPOTS



HIGHLIGHT AND SYSTEM MIRACLE



Its intelligent lighting concept, individually organisable storage space, and appealing design make ROYAL MATCH the universal mirror cabinet for every bathroom.

The high quality aluminium edges emphasise the elegant design. With its modern and rectangular style, which harmonizes with virtually any style, the ROYAL MATCH mirror cabinet – in widths of 650 mm, 800 mm, 1000 mm, 1200 mm or 1300 mm – is a visual treat in any bathroom. The special features of the lateral LED lighting: The light can be dimmed continuously by way of an electronic sensor switch, and as an indirect source of light, ROYAL MATCH always creates the right atmosphere in the bathroom.



Also the interior of the ROYAL MATCH mirror cabinet speaks for itself: Here, you can experience the comfort which is typical of KEUCO, such as an elegant glass rear wall, internal lighting, once you open the cupboard and sensibly placed electrical sockets. The central divider of the glass shelves allows one to adjust the heights of the glass shelves differently for the left and right sides, so one can organize things individually. The revolving mirror doors on both sides also offer a generous panorama-like view.



iLook_move

GLAMOROUS MOMENTS



LOVED AND EVEN MORE MINIMALIST

Round or angular – the iLook_move is no ordinary cosmetic mirror. The light can be controlled by fingertip via the glass control panel; the light can be adjusted continuously. With only one handle, the height, interval and angle can be optimally adjusted.

What's new: Thanks to the in-wall cabling, the mirror can now be incorporated into the bathroom design in an even more minimalist manner.





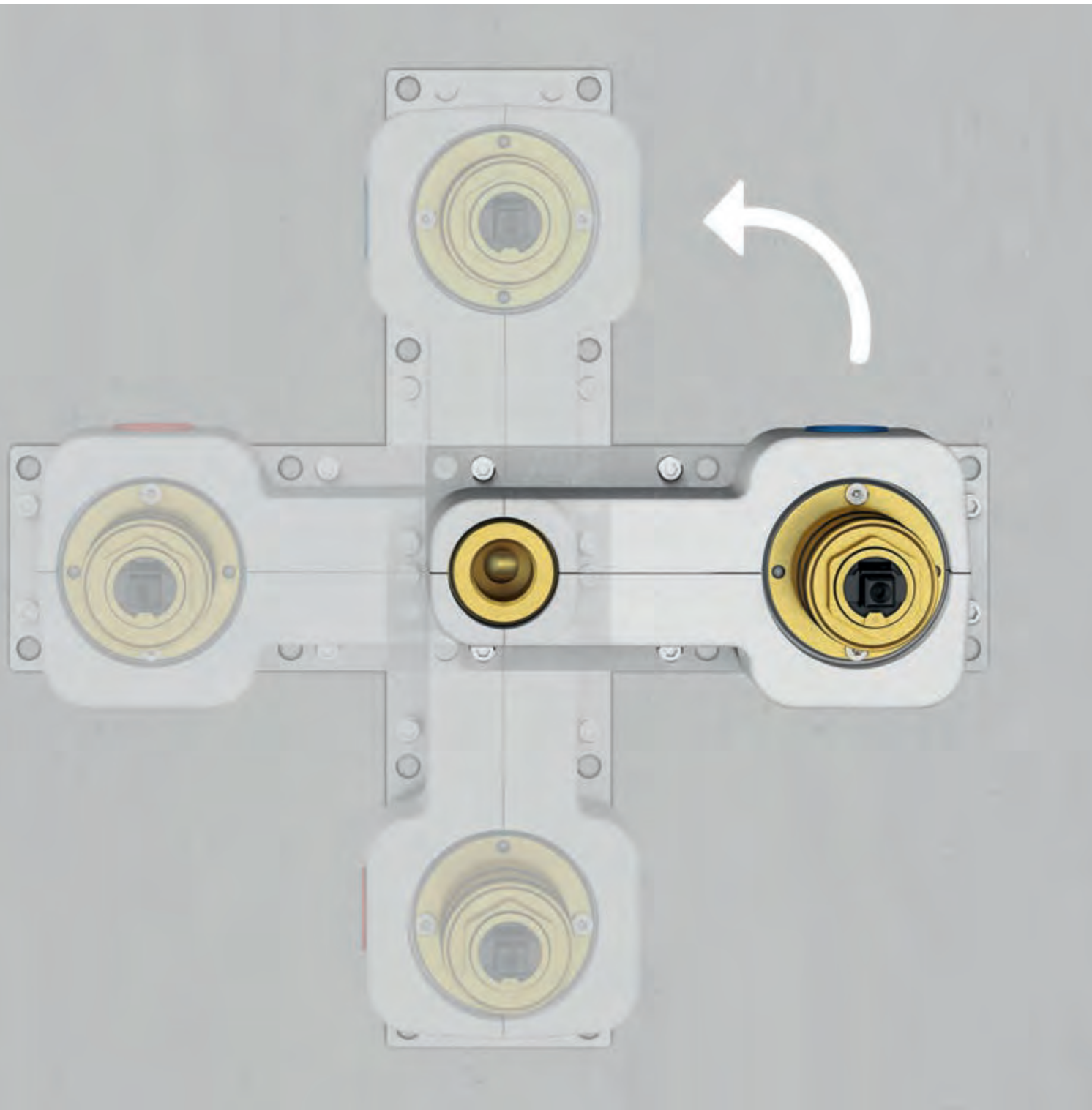
FITTINGS TECHNOLOGY

COMPLETELY
INNOVATIVE



FLEXIBLE PLACING





For wall fittings at double washbasins or for right and left-handed people, the position of the single-lever mixer makes a difference – either for the sake of symmetrical appearance or for the purpose of user-friendliness. Usually a different type of in-wall unit needs to be planned depending on the position of the lever in relation to the wall spout – to the right, the left, above or below. With a new technical innovation from KEUCO this question asked during the early planning phase is a thing of the past. This is because KEUCO has now developed an in-wall unit that can be used flexibly for all different arrangements of wall fittings at the washbasin.

One for all: The concealed installation unit from KEUCO offers the possibility of choosing the position of the handle around the wall spout of the washbasin fitting at short notice prior to installation on location. The cartridge fixture can be rotated in the in-wall unit before installation in only a few simple steps. And that's all it takes to individually adjust the position of the lever around the wall spout. There isn't a simpler way of planning washbasins with wall fittings.



PRODUCT OVERVIEW



31570



31580



31198



31140



31150



31160



32140



32150



32160

31570
Ceramic built-in washbasin
no tap hole, without overflow
with CleanPlus surface
Dimensions (w x h x d):
600 x 16 x 400 mm
600 x 75 x 400 mm

31140
Ceramic washbasin
with CleanPlus surface
Variations:
– without tap hole, without overflow drain
– with tap hole suitable for 1-hole fittings
or 3-hole fittings (gauge 200 mm), complete
with CLOU drain and overflow system
Dimensions (w x h x d): 705 x 17 x 538 mm

32140
Ceramic washbasin
with CleanPlus surface
Variations:
– without tap hole, without overflow drain
– with tap hole suitable for 1-hole fittings
or 3-hole fittings (gauge 200 mm),
complete with CLOU drain and overflow system
Dimensions (w x h x d): 705 x 17 x 538 mm

31580
Ceramic built-in washbasin
no tap hole, without overflow
with CleanPlus surface
Dimensions (w x h x d):
800 x 16 x 400 mm
800 x 75 x 400 mm

31150
Ceramic washbasin
with CleanPlus surface
Variations:
– without tap hole, without overflow drain
– with tap hole suitable for 1-hole fittings
or 3-hole fittings (gauge 200 mm),
complete with CLOU drain and overflow system
Dimensions (w x h x d): 1055 x 17 x 538 mm

32150
Ceramic washbasin
with CleanPlus surface
Variations:
– without tap hole, without overflow drain
– with tap hole suitable for 1-hole fittings
or 3-hole fittings (gauge 200 mm),
complete with CLOU drain and overflow system
Dimensions (w x h x d): 1055 x 17 x 538 mm

31198
Ceramic washbasin
with CleanPlus surface,
without overflow drain,
as desired without tap hole or
with tap hole for 1-hole fittings
Dimensions (w x h x d): 438 x 12 x 438 mm

31160
Ceramic washbasin
with CleanPlus surface
Variations:
– without tap hole, without overflow drain
– with tap hole suitable for 1-hole fittings
or 3-hole fittings (gauge 200 mm),
complete with CLOU drain and overflow system
Dimensions (w x h x d): 1405 x 17 x 538 mm

32160
Ceramic washbasin
with CleanPlus surface
Variations:
– without tap hole, without overflow drain
– with tap hole suitable for 1-hole fittings
or 3-hole fittings (gauge 200 mm),
complete with CLOU drain and overflow system
Dimensions (w x h x d): 1405 x 17 x 538 mm



31541



31551



31561



31562



31571



31572



31573



31574



31598



31582



31583



31575



31740



31741



31752



31753



31742



31743



31760



31750



31751



31761

31541/31571/31598

Vanity unit

Variations:
 – no tap hole
 – with tap hole, compatible with ceramic washbasin
 Article No. 31570
 – compatible with ceramic washbasin
 Article No. 31140/32140/31198
 2 drawer fronts with push-to-open mechanism
 and soft closing
 Dimensions (w x h x d):
 700 x 546 x 450/535 mm

31551/31572/31582

Vanity unit

Variations:
 – no tap hole
 – with tap hole, compatible with ceramic washbasin
 Article No. 31570/31580
 – compatible with ceramic washbasin
 Article No. 31150/32150
 2 drawer fronts with push-to-open mechanism
 and soft closing
 Dimensions (w x h x d):
 1050 x 546 x 450/535 mm

31561/31573/31583

Vanity unit

Variations:
 – no tap hole
 – with tap hole, compatible with ceramic washbasin
 Article No. 31570/31580
 – compatible with ceramic washbasin
 Article No. 31160/32160
 2 drawer fronts with push-to-open mechanism
 and soft closing
 Dimensions (w x h x d):
 1400 x 546 x 450/535 mm

31562/31574/31575

Vanity unit

Variations:
 – no tap hole
 – with tap hole, compatible with 2 ceramic
 washbasins Article No. 31570/31580
 – compatible with ceramic washbasin
 Article No. 31160/32160
 2/4 drawer fronts with push-to-open mechanism
 and soft closing
 Dimensions (w x h x d):
 1400 x 546 x 450/535 mm

31740/31741

Side unit

wall mounted
 1 drawer front with push-to-open mechanism
 and soft closing
 Dimensions (w x h x d):
 700 x 199 x 450/535 mm
 700 x 289 x 450/535 mm

31742/31743

Side unit

wall mounted
 2 drawer fronts with push-to-open mechanism
 and soft closing
 Dimensions (w x h x d):
 700 x 382 x 450/535 mm
 700 x 472 x 450/535 mm

31750/31751

Side unit

wall mounted
 1 drawer front with push-to-open mechanism
 and soft closing
 Dimensions (w x h x d):
 1050 x 199 x 450/535 mm
 1050 x 289 x 450/535 mm

31752/31753

Side unit

wall mounted
 2 drawer fronts with push-to-open mechanism
 and soft closing
 Dimensions (w x h x d):
 1050 x 382 x 450/535 mm
 1050 x 472 x 450/535 mm

31760/31761

Side unit

wall mounted
 1 drawer front with push-to-open mechanism
 and soft closing
 Dimensions (w x h x d):
 1400 x 199 x 450/535 mm
 1400 x 289 x 450/535 mm



31762



31766



31763



31767



31772



31720



31764



31770



31773



31725



31765



31771



31749/31759/31769/31779



31730



31735

31762/31763/31764/31765

Side unit

wall mounted
2 drawer fronts with push-to-open mechanism and soft closing
Dimensions (w x h x d):
1400 x 199 x 450/535 mm
1400 x 289 x 450/535 mm
1400 x 382 x 450/535 mm
1400 x 472 x 450/535 mm

31766/31767

Side unit

wall mounted
4 drawer fronts with push-to-open mechanism and soft closing
Dimensions (w x h x d):
1400 x 382 x 450/535 mm
1400 x 472 x 450/535 mm

31770/31771

Side unit

wall mounted
2 drawer fronts with push-to-open mechanism and soft closing
Dimensions (w x h x d):
2100 x 199 x 450/535 mm
2100 x 289 x 450/535 mm

31772/31773

Side unit

wall mounted
4 drawer fronts with push-to-open mechanism and soft closing
Dimensions (w x h x d):
2100 x 382 x 450/535 mm
2100 x 472 x 450/535 mm

For the floor standing version is also a plinth package necessary.

31749/31759/31769/31779

Plinth package

to combine with sideboard, wall-mounted, consisting of plinth panel and height adjustable case legs
Dimensions (w x h x d):
Abmessung (B x H x T):
676 x 25 x 399/484 mm
676 x 25 x 399/484 mm
676 x 25 x 399/484 mm
676 x 25 x 399/484 mm

31720/31725

Middle unit

single door with push-to-open mechanism and soft closing
door hinge optionally left or right
Interior fittings:
– 2 glass shelves
or
– 2 glass shelves
– 4 storage boxes
Dimensions (w x h x d):
350 x 894 x 300 mm
450 x 894 x 300 mm

31730/31735

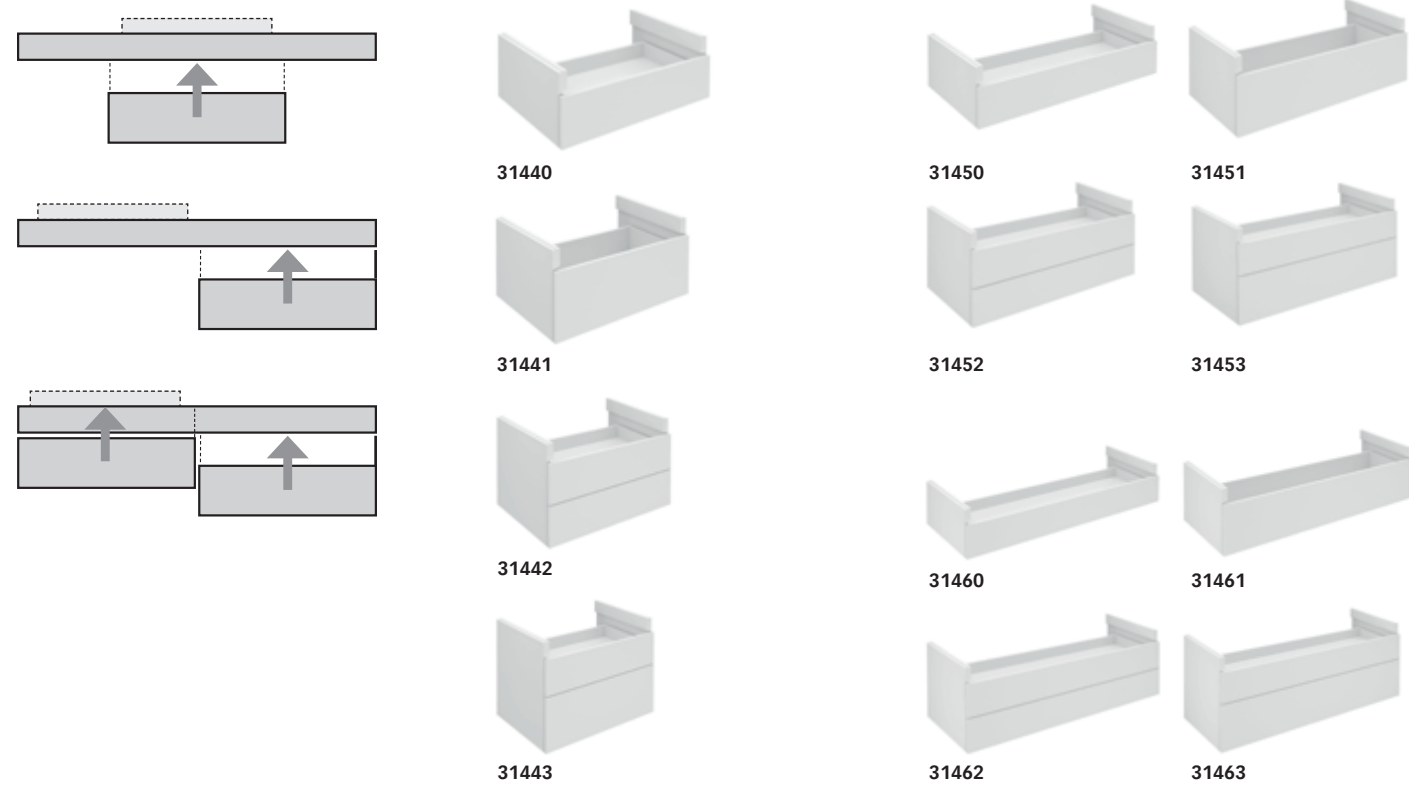
Tall unit

single door with push-to-open mechanism and soft closing
door hinge optionally left or right
Interior fittings:
– 4 glass shelves
or
– 4 glass shelves
– 7 storage boxes
Dimensions (w x h x d):
350 x 1769 x 300 mm
450 x 1769 x 300 mm

Custom-made washbasin board

The board is available in depths of 535 mm and 450 mm. It is custom-made in a 1 cm raster in widths of 700–2100 mm. Compatible with ceramic washbasins of EDITION 400, EDITION 11 and ROYAL 60 in various sizes and tap hole versions.

Alternatively to be combined with the base cabinet module:



**31440/31441/31442/31443
Base cabinet module**

Variations:
 – with/without cut-out for washbasin
 – 1/2 drawer fronts with push-to-open mechanism and soft closing
 Dimensions (w x h x d):
 700 x 254 x 450/450 mm
 700 x 344 x 450/535 mm
 700 x 437 x 450/535 mm
 700 x 527 x 450/535 mm

**31450/31451/31452/31453
Base cabinet module**

Variations:
 – with/without cut-out for washbasin
 – 1/2 drawer fronts with push-to-open mechanism and soft closing
 Dimensions (w x h x d):
 1050 x 254 x 450/450 mm
 1050 x 344 x 450/535 mm
 1050 x 437 x 450/535 mm
 1050 x 527 x 450/535 mm

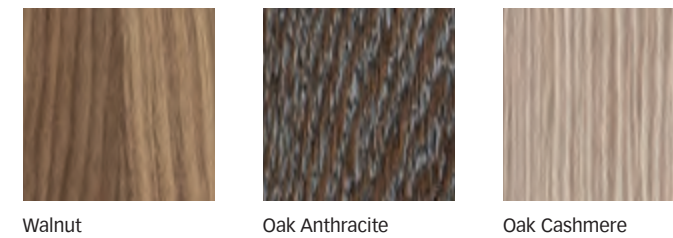
**31460/31461/31462/31463
Base cabinet module**

Variations:
 – with/without cut-out for washbasin
 – 1/2 drawer fronts with push-to-open mechanism and soft closing
 Dimensions (w x h x d):
 1400 x 254 x 450/450 mm
 1400 x 344 x 450/535 mm
 1400 x 437 x 450/535 mm
 1400 x 527 x 450/535 mm

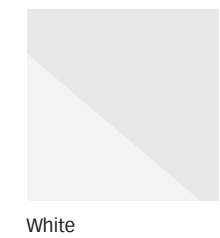
**BODY AND FRONT
STRUCTURED LACQUER**



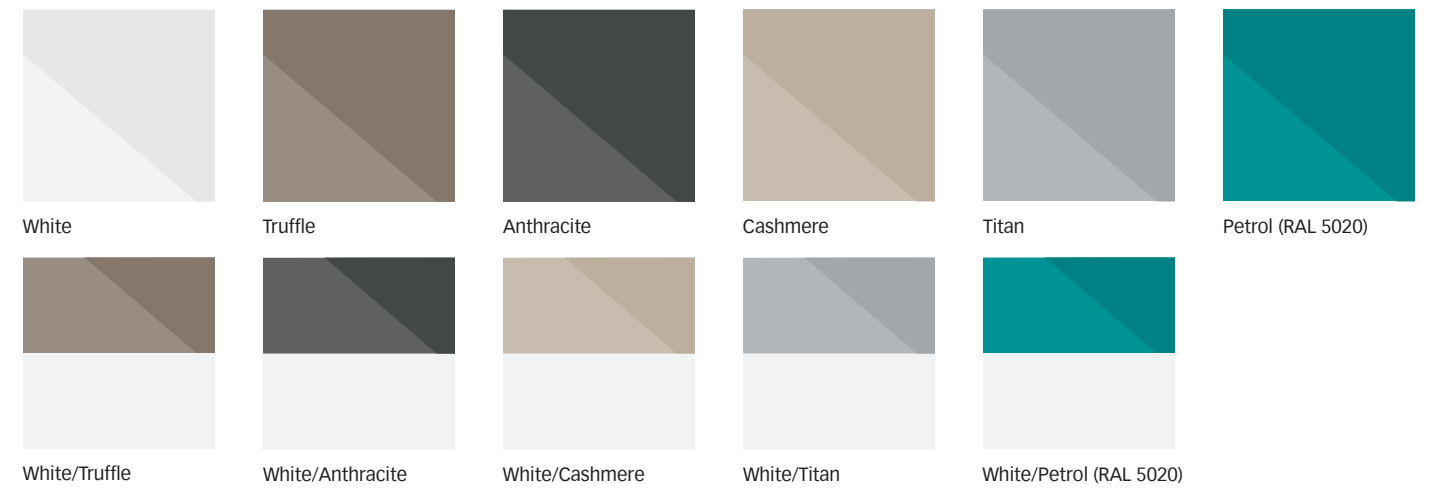
**BODY AND FRONT
VENEER**



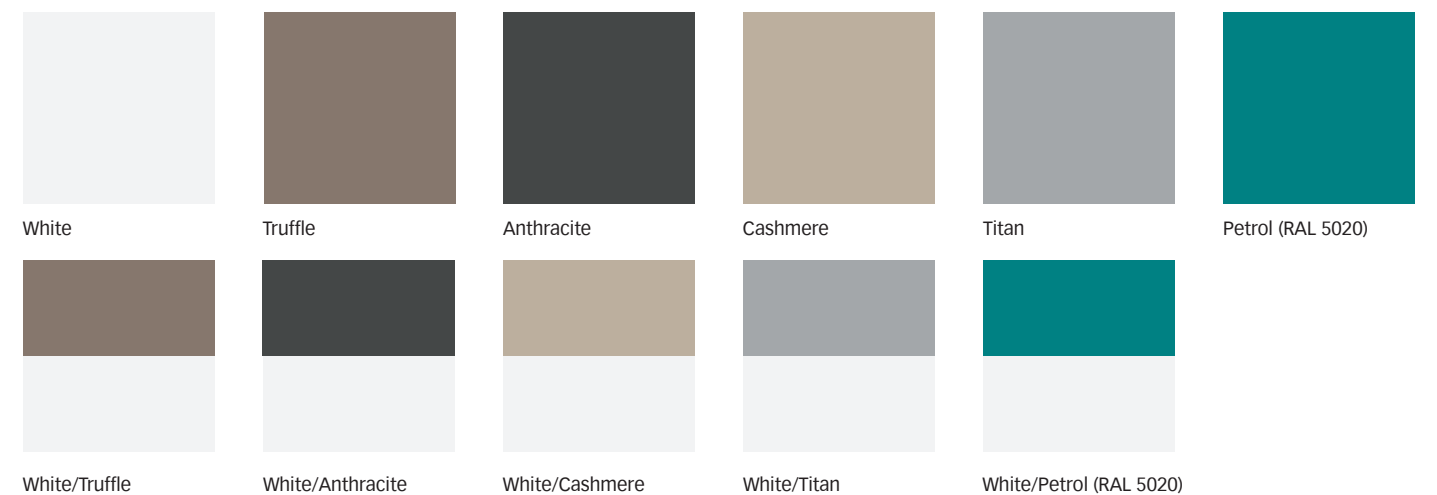
**BODY AND FRONT
HIGH-GLOSS LACQUER**



**BODY AND FRONT STRUCTURED LACQUER
SHELF INCLUDING 6 MM GLASS COVER PLATE HIGH-GLOSS**



**BODY AND FRONT STRUCTURED LACQUER
SHELF INCLUDING 6 MM GLASS COVER PLATE MATT**



DESIGN PLUS

powered by: ISH



51508



51504



51504



59916



51502



51502



51502



51516



51520



51524



51505



51509



51515



51530



51530



51545

51508**Pillar tap 80**

without pop-up waste,
1-hole installation, lever head action 90°
with ceramic sealing gaskets,
aerator SLIM SSR M 24x1, adjustable flow angle,
flow rate limited to 7,6 l/min.

51502**Single lever basin mixer 150**

with/without pop-up waste 1 1/4 Inch,
1-hole installation, cartridge mixer
with ceramic sealing gaskets,
aerator SLIM SSR M 24x1,
adjustable flow angle,
flow rate limited to 7,6 l/min.

51505**Single lever basin mixer 150**

with/without pop-up waste 1 1/4 Inch,
spout swivelling +/- 60°,
1-hole installation, cartridge mixer
with ceramic sealing gaskets,
aerator SLIM SSR M 24x1, adjustable flow angle,
flow rate limited to 7,6 l/min.

51504**Single lever basin mixer 80**

with/without pop-up waste 1 1/4 Inch,
1-hole installation, cartridge mixer
with ceramic sealing gaskets,
aerator SLIM SSR M 24x1, adjustable flow angle,
flow rate limited to 7,6 l/min.

51502**Single lever basin mixer 240**

with/without pop-up waste 1 1/4 Inch,
1-hole installation, cartridge mixer
with ceramic sealing gaskets,
aerator SLIM SSR M 24x1,
adjustable flow angle,
flow rate limited to 7,6 l/min.

51509**Single lever bidet mixer**

with pop-up waste 1 1/4 Inch,
1-hole installation, cartridge mixer
with ceramic sealing gaskets,
aerator cache TT M 18,5x1
flow rate limited to 7,6 l/min.

51504**Single lever basin mixer 120**

with/without pop-up waste 1 1/4 Inch,
1-hole installation, cartridge mixer
with ceramic sealing gaskets,
aerator SLIM SSR M 24x1, adjustable flow angle,
flow rate limited to 7,6 l/min.

51502**Single lever basin mixer 290**

without pop-up waste,
1-hole installation, cartridge mixer
with ceramic sealing gaskets,
aerator SLIM SSR M 24x1,
adjustable flow angle,
flow rate limited to 7,6 l/min.

51515**Three-hole basin mixer 150**

with/without pop-up waste 1 1/4 Inch,
3-hole installation, ceramic valve for temperature
regulation and valve for flow control,
aerator SLIM SSR M 24x1, adjustable flow angle,
flow rate limited to 7,6 l/min.

51516**Single lever basin mixer**

concealed fitting DN15,
cartridge mixer with ceramic sealing gaskets
and temperature control,
aerator SLIM SSR M 24x1, adjustable flow angle,
flow rate limited to 7,6 l/min.
Projection: 187, 219, 265 mm
(essential for installation:
Rough part Article No. 59916
to be ordered separately)

51530**Bath tub mixer**

4-hole bath filler,
ceramic valve for temperature regulation
and valve for flow control,
aerator SLIM SSR M 24x1, adjustable flow angle,
pull-out pencil hand shower,
with backflow preventer
Projection: 180, 220 mm
(suitable fixing block Article No. 51130
to be ordered separately)

51520**Single lever bath tub mixer**

exposed,
cartridge mixer with ceramic sealing gaskets,
with automatic diverter, aerator SLIM SSR M 24x1,
adjustable flow angle, with backflow preventer

51530**Bath tub mixer**

3-hole bath filler,
ceramic valve for temperature regulation
and valve for flow control,
pull-out pencil hand shower,
with backflow preventer,
(suitable fixing block Article No. 51130
to be ordered separately)

59916**Rough part**

suitable for concealed single lever basin mixer

51524**Single lever shower mixer**

exposed,
cartridge mixer with ceramic sealing gaskets,
with backflow preventer

51545**Bath spout DN 20**

suitable for all concealed fittings
Projection: 152, 202 mm



51571
Single lever shower mixer
 concealed fitting,
 set complete with: handle, sleeve, rosette
 and installation unit,
 suitable for rough part no. 59970 (Flexx Boxx)
 (Flexx Boxx to be ordered separately)

51580
Hand shower
 with anti limescale device,
 with normal, soft and massage jet
 with ECO AIR Function,
 restricted flow rate 10 l/min.

56080
Round pencil hand shower
 with normal jet

54947
Wall outlet for shower hose DN 15
 suitable for all concealed fittings

54995
Shower hose DN 15
 both ends fitted with conical nut
 and twist-protection
 1250, 1600, 2000 mm

51572
Single lever bath tub and shower mixer
 concealed fitting,
 with/without safety device,
 set complete with: handle, sleeve, diverter, rosette
 and installation unit,
 suitable for rough part no. 59970 (Flexx Boxx)
 (Flexx Boxx to be ordered separately)

51585
Hand shower sliding rail
 consisting of:
 – wall rail, 900 mm
 – sliding bracket for hand shower
 – height adjustment via handle,
 tilting angle adjustable
 – spacer disc (5 mm)

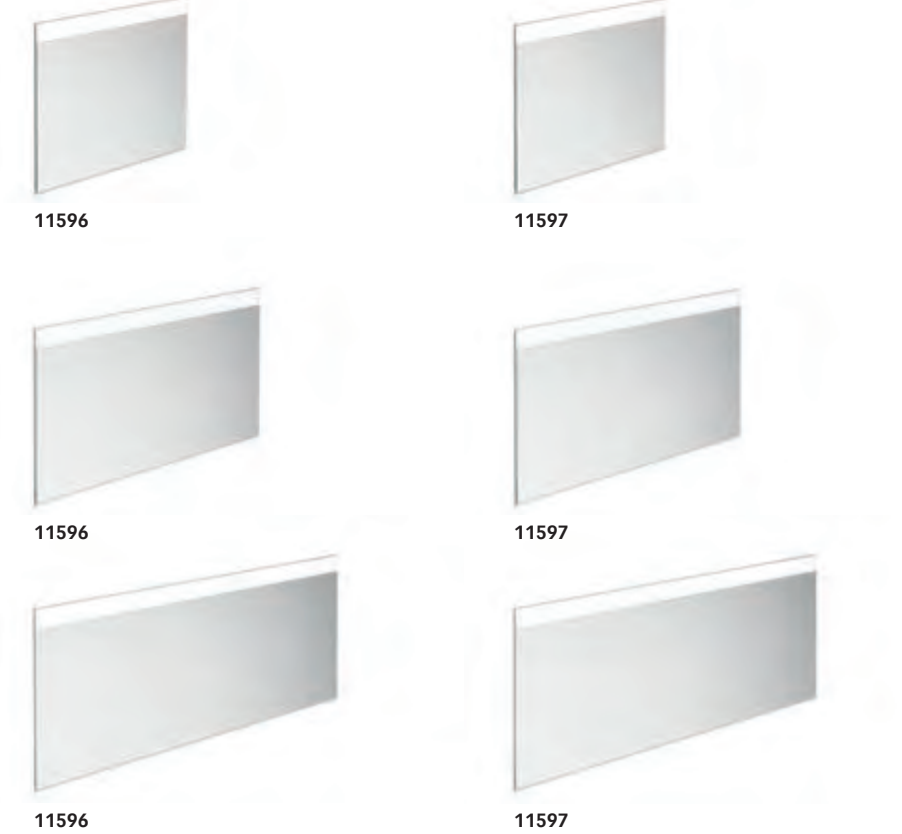
51587
Hand shower sliding rail set
 consisting of:
 – rail with sliding bracket, 900 mm
 – height adjustment via handle,
 tilting angle adjustable
 – spacer disc (5 mm)
 – hand shower with normal, soft and massage jet
 – shower hose, 1600 mm

51573/51574
Thermostat battery
 concealed fitting
 with ceramic cut-off valve (51573),
 with ceramic cut-off and switch valve (51574),
 safety cut-off at 38°C,
 set complete with: handle, sleeve, diverter,
 rosette and installation unit,
 suitable for rough part no. 59970 (Flexx Boxx)
 (Flexx Boxx to be ordered separately)

51591
Wall bracket for hand shower
 for shower hoses with conical nuts

51686/51688
Head shower with ceiling outlet DN 15
 Ø 180 mm, with shower head rail,
 restricted flow rate 15 l/min.
 Projection: 100, 300 mm

51686/51689
Head shower with ceiling outlet DN 15
 Ø 180 mm, with shower head rail,
 restricted flow rate 15 l/min.
 Projection: 100, 300 mm



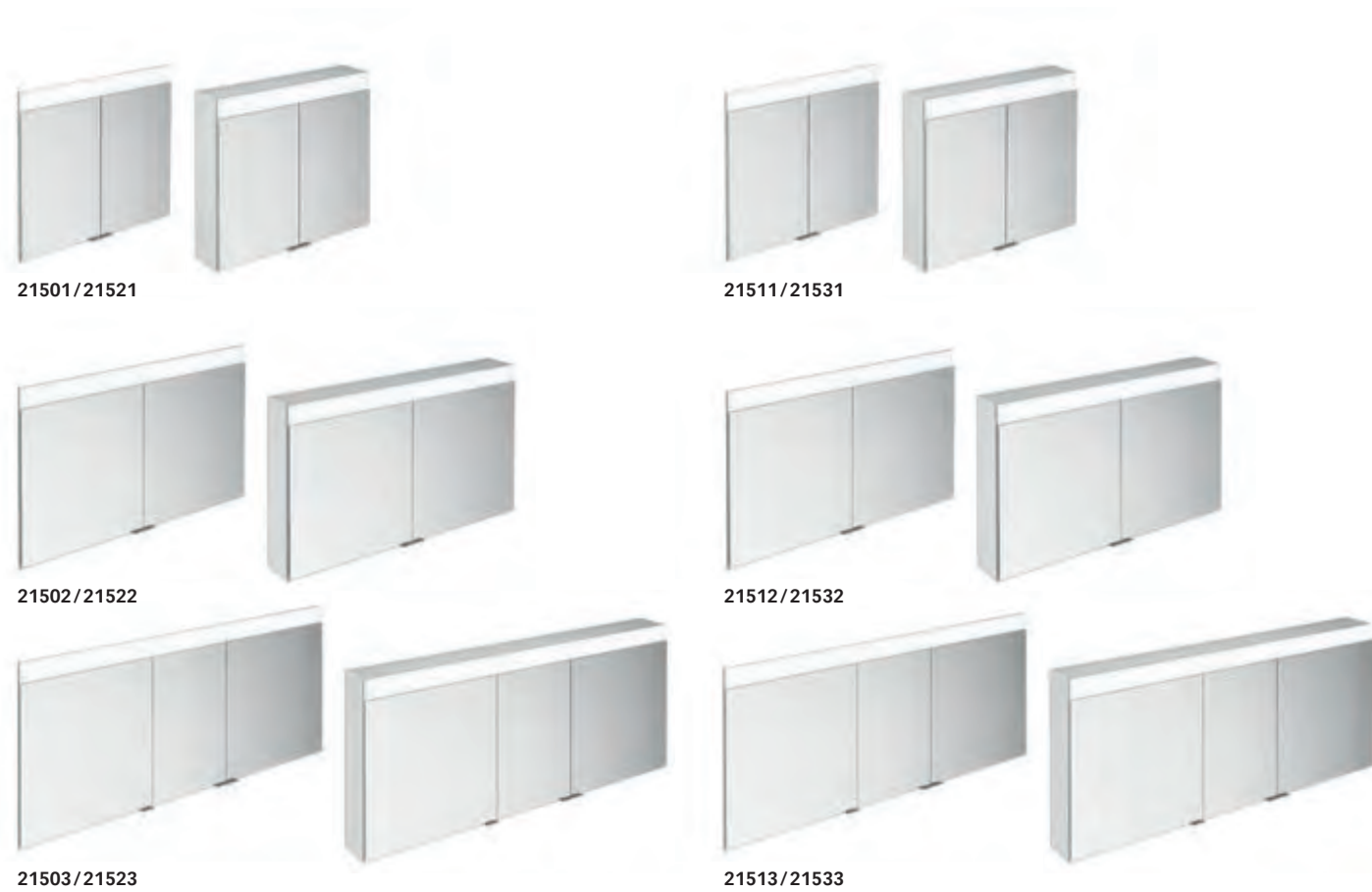
11195
Crystal mirror
 Dimensions (w x h x d):
 700 x 610 x 26 mm
 1050 x 610 x 26 mm
 1400 x 610 x 26 mm
 1750 x 610 x 26 mm
 2100 x 610 x 26 mm

11496
Light mirror customized
 Features as 11596
 Dimensions (w x h x d):
 720–2110 x 650 x 33 mm

11596
Light mirror
 adjustable light colour from 2700 kelvin (warm white)
 to 6500 kelvin (daylight),
 continuous aluminium frame,
 optionally with mirror heating
 Operation:
 key panel with capacitive touch sensor,
 integrated extension function for e.g. light switch
 Illumination:
 LED, infinitely dimmable
 Dimensions (w x h x d):
 710 x 650 x 33 mm
 1060 x 650 x 33 mm
 1410 x 650 x 33 mm

11497
Light mirror customized
 Features as 11597
 Dimensions (w x h x d):
 720–2110 x 650 x 33 mm

11597
Light mirror
 1 light colour, 4000 kelvin (neutral white)
 continuous aluminium frame
 Operation:
 key panel with capacitive touch sensor,
 optionally to be operated via the light switch
 Illumination:
 LED, infinitely dimmable
 Dimensions (w x h x d):
 710 x 650 x 33 mm
 1060 x 650 x 33 mm
 1410 x 650 x 33 mm



21501/21502/21503
21521/21522/21523
Mirror cabinet
 for recessed or non-recessed mounting,
 adjustable light colour from 2700 kelvin (warm white)
 to 6500 kelvin (daylight),
 2/3 hinged double sided crystal mirrored doors,
 Body: aluminium silver anodized, interior rear wall mirrored
 Operation:
 key panel with capacitive touch sensor,
 integrated extension function for e.g. light switch
 Illumination:
 LED, infinitely dimmable
 Features:
 – 2 sockets
 – 2/2 x 2 adjustable glass shelves
 – 1/2 storage boxes with slidable glass lid
 – interior lighting
 – soft-closing doors
 Dimensions (w x h x d):
 710 x 650 x 154 mm (depth in front of the wall 24 mm / 167 mm)
 1060 x 650 x 154 mm (depth in front of the wall 24 mm / 167 mm)
 1410 x 650 x 154 mm (depth in front of the wall 24 mm / 167 mm)

21511/21512/21513
21531/21532/21533
Mirror cabinet
 for recessed or non-recessed mounting,
 1 light colour, 4000 kelvin (neutral white)
 2/3 hinged double sided crystal mirrored doors,
 Body: aluminium silver anodized, interior rear wall mirrored
 Operation:
 key panel with capacitive touch sensor,
 optional to be operated via the light switch
 Illumination:
 LED, infinitely dimmable
 Features:
 – 2 sockets
 – 2/2 x 2 adjustable glass shelves
 – 1/2 storage boxes with slidable glass lid
 – interior lighting
 – soft-closing doors
 Dimensions (w x h x d):
 710 x 650 x 154 mm (depth in front of the wall 24 mm / 167 mm)
 1060 x 650 x 154 mm (depth in front of the wall 24 mm / 167 mm)
 1410 x 650 x 154 mm (depth in front of the wall 24 mm / 167 mm)

DESIGN PLUS
 powered by: **ISH**



11501
Towel rail
 600, 800, 1000 mm

11514
Towel hook
 60 mm

11515
Towel hook
 double

11521
Towel ring

11507
Grab bar/Towel rail (USA)
 350 mm

11518/11519
Towel holder
 2-arms, fixed
 Projection: 340, 450 mm

11549
Utensil tray
 crystal glas matt

11550
Tumbler holder
 complete with crystal glass tumbler

11510
Shelf
 with crystalline glass shelf
 Dimensions:
 700 x 120 mm
 1050 x 120 mm
 1400 x 120 mm

11520/11522
Towel holder
 1-arm, fixed
 Projection: 340, 450 mm

11552
Lotion dispenser
 complete with crystal glass tumbler, matt
 Capacity: approx. 150 ml

11555
Soap holder
 complete with crystal glass dish, matt



11553



11554



11556



11558



11559



11562



11563



11564



12801



12802



12803



12804



12805

11553
Double holder glass/lotiondispenser
complete, comes with:
1 x crystal glass tumbler
1 x lotiondispenser for liquid soap
Capacity: approx. 150 ml

11558
Shower shelf
aluminium silver-anodized (E6 EV1)

11562
Toilet paper holder
open form,
for 120 mm wide paper rolls

11554
Double holder glass/utensil tray
complete, comes with:
1 x crystal glass tumbler
1 x utensil tray, crystal glass matt

11559
Shower shelf
aluminium silver-anodized (E6 EV1)
with integrated glass scraper (white)

11563
Spare paper holder

11556
Double holder glass/soap
complete, comes with:
1 x crystal glass tumbler
1 x crystal soap dish, matt

11564
Toilet brush set
complete with crystal glass insert matt, detachable
opaque synthetic insert, brush with handle and lid,
spare brush head

12801 / 12802 / 12803
Mirror cabinet
2 hinged double sided crystal mirror doors
body: aluminium, silver anodized
rear panel in back-lacquered white glass
Operation:
control panel with capacitive touch sensor,
optional to be operated via the light switch
Illumination:
LED 2 x 10 watt, light colour 4000 kelvin
(neutral white), infinitely dimmable
Features:
– 2 sockets (internal)
– 2 x 3 adjustable glass shelves
– interior lighting
Dimensions (w x h x d):
650 x 700 x 160 mm
800 x 700 x 160 mm
1000 x 700 x 160 mm

12804 / 12805
Mirror cabinet
2 hinged double sided crystal mirror doors,
1 fixed mirror unit (centric)
body: aluminium, silver anodized
rear panel in back-lacquered white glass
Operation:
control panel with capacitive touch sensor,
optional to be operated via the light switch
Illumination:
LED 2 x 10 watt, light colour 4000 kelvin
(neutral white), infinitely dimmable
Features:
– 2 sockets (internal)
– 2 x 3 adjustable glass shelves
– interior lighting
Dimensions (w x h x d):
1200 x 700 x 160 mm
1300 x 700 x 160 mm

DESIGN PLUS

powered by: ISH



17612



17612



17612



17612



17612



17613



17613



17613



17613



17613

**17612
Cosmetic mirror round**

illuminated, 5-stage adjustable light colour from 2700 kelvin (warm white) to 6500 kelvin (daylight) spiral cord (block length 400 mm)
on pivoted rail adjustable in three dimensions
one-sided mirror, magnification factor x 5
Operation:
Glass control panel with capacitive touch sensor and LED display
Power supply:
Mains connection via wall socket,
12 V in-wall adapter, input 220-240 V,
standby consumption: < 0,5 watt
Illumination:
LED 4,5 watt
Ø 212 mm

**17612
Cosmetic mirror round**

illuminated, 5-stage adjustable light colour from 2700 kelvin (warm white) to 6500 kelvin (daylight), in-wall cable layout,
on pivoted rail adjustable in three dimensions,
one-sided mirror, magnification factor x 5
Operation:
Glass control panel with capacitive touch sensor and LED display
Power supply:
Mains connection via wall socket,
12 V in-wall adapter, input 220-240 V,
standby consumption: < 0,5 watt
Illumination:
LED 4,5 watt
suitable for rough part no. 17699
Ø 212 mm

**17612
Cosmetic mirror round**

illuminated, 1 light colour 6500 kelvin (day light), spiral cord (block length 400 mm),
on pivoted rail adjustable in three dimensions,
one-sided mirror, magnification factor x 5
Operation: Cable switch
Power supply:
Mains connection via plug-in power supply unit,
12 V Plug-in power supply unit, input 100-240 V,
Standby consumption: < 0,3 watt
Illumination:
LED 4,5 watt
Ø 212 mm

**17612
Cosmetic mirror round**

illuminated, 1 light colour 6500 kelvin (day light), in-wall cable layout,
on pivoted rail adjustable in three dimensions,
one-sided mirror, magnification factor x 5
Operation:
Light switch (not included in delivery)
Power supply:
Mains connection via wall socket
12 V in-wall adapter, input 220-240 V,
standby consumption: 0 watt
Illumination:
LED 4,5 watt
suitable for rough part no. 17699
Ø 212 mm

**17612
Cosmetic mirror round**

non illuminated,
on pivoted rail adjustable in three dimensions,
one-sided mirror, magnification factor x 5
Ø 212 mm

**17613
Cosmetic mirror squared**

illuminated, 5-stage adjustable light colour from 2700 kelvin (warm white) to 6500 kelvin (daylight) spiral cord (block length 400 mm)
on pivoted rail adjustable in three dimensions
one-sided mirror, magnification factor x 5
Operation:
Glass control panel with capacitive touch sensor and LED display
Power supply:
Mains connection via wall socket,
12 V in-wall adapter, input 220-240 V,
standby consumption: < 0,5 watt
Illumination:
LED 4,5 watt
Exterior measurement: 200 x 200 mm

**17613
Cosmetic mirror squared**

illuminated, 5-stage adjustable light colour from 2700 kelvin (warm white) to 6500 kelvin (daylight), in-wall cable layout,
on pivoted rail adjustable in three dimensions,
one-sided mirror, magnification factor x 5
Operation:
Glass control panel with capacitive touch sensor and LED display
Power supply:
Mains connection via wall socket,
12 V in-wall adapter, input 220-240 V,
standby consumption: < 0,5 watt
Illumination:
LED 4,5 watt
suitable for rough part no. 17699
Exterior measurement: 200 x 200 mm

**17613
Cosmetic mirror squared**

illuminated, 1 light colour 6500 kelvin (day light), spiral cord (block length 400 mm),
on pivoted rail adjustable in three dimensions,
one-sided mirror, magnification factor x 5
Operation: Cable switch
Power supply:
Mains connection via plug-in power supply unit,
12 V Plug-in power supply unit, input 100-240 V,
Standby consumption: < 0,3 watt
Illumination:
LED 4,5 watt
Exterior measurement: 200 x 200 mm

**17613
Cosmetic mirror squared**

illuminated, 1 light colour 6500 kelvin (day light), in-wall cable layout,
on pivoted rail adjustable in three dimensions,
one-sided mirror, magnification factor x 5
Operation:
Light switch (not included in delivery)
Power supply:
Mains connection via wall socket
12 V in-wall adapter, input 220-240 V,
standby consumption: 0 watt
Illumination:
LED 4,5 watt
suitable for rough part no. 17699
Exterior measurement: 200 x 200 mm

**17613
Cosmetic mirror squared**

non illuminated,
on pivoted rail adjustable in three dimensions,
one-sided mirror, magnification factor x 5
Exterior measurement: 200 x 200 mm

WORLD OF IXMO

SINGLE LEVER MIXER



1 CONSUMER

Wall outlet for shower hose



Wall outlet for shower hose with hand shower bracket



2 CONSUMERS

2-way diverter valve



2-way diverter valve with wall outlet for shower hose



2-way diverter valve with wall outlet for shower hose and hand shower bracket



3 CONSUMERS

3-way diverter valve



3-way diverter valve with wall outlet for shower hose



3-way diverter valve with wall outlet for shower hose and hand shower bracket



THERMOSTAT



1 CONSUMER

Stop valve



Stop valve with wall outlet for shower hose



2 CONSUMERS

2-way stop and diverter valve



2-way stop and diverter valve with wall outlet for shower hose



2-way stop and diverter valve with wall outlet for shower hose and hand shower bracket



2-way diverter valve



2-way diverter valve with wall outlet for shower hose



2-way diverter valve with wall outlet for shower hose and hand shower bracket



3 CONSUMERS

3-way diverter valve



3-way diverter valve with wall outlet for shower hose



3-way diverter valve with wall outlet for shower hose and hand shower bracket





59551
Single lever mixer DN 15
 Mixing cartridge with ceramic sealing gaskets temperature controlled
 set complete with:
 handle, sleeve, rosette (round or square) and installation unit,
 suitable for rough part no. 59551/000070



59551
Installation unit for single lever mixer DN 15
 Rough part for recessed installation



59553
Thermostat battery DN 15
 Set complete with:
 handle, sleeve and rosette (round or square)
 suitable for rough part no. 59553/000070



59553
Installation unit for thermostat battery DN 15
 Rough part for recessed installation



59547
Wall outlet for shower hose DN 15
 with round or square decorative disc,
 intrinsically safe against backflow



59592
Wall outlet for shower hose with hand shower bracket DN 15
 for shower hoses with fitted conical end brackets,
 with round or square decorative disc,
 intrinsically safe against backflow



59541
Stop valve DN 15
 Set complete with:
 handle, sleeve, rosette (round or square) and stop cock
 suitable for rough part no. 59541/000070



59541
Installation unit for stop valve DN 15
 Rough part for recessed installation



59541
Stop valve with wall outlet for shower hose DN 15
 Set complete with:
 handle, casing, rosette (round or square) and stop cock,
 intrinsically safe against backflow,
 suitable for rough part no. 59541/000170



59541
Installation unit for stop valve with wall outlet for shower hose DN 15
 Rough part for recessed installation



59557
2-way stop and diverter valve DN 15
 Set complete with:
 handle, sleeve, rosette (round or square) and stop and diverter valve
 suitable for rough part no. 59556/000070



59556
Installation unit for 2-way diverter valve DN 15
 Rough part for recessed installation



59557
2-way stop and diverter valve with wall outlet for shower hose DN 15
 Set complete with:
 handle, casing, rosette (round or square) and stop and diverter valve,
 intrinsically safe against backflow,
 suitable for rough part no. 59556/000170



59556
Installation unit for 2-way diverter valve with wall outlet for shower hose DN 15
 Rough part for recessed installation



59557
2-way stop and diverter valve with wall outlet for shower hose and hand shower bracket DN 15
 Set complete with:
 handle, casing, rosette (round or square) and stop and diverter valve,
 intrinsically safe against backflow,
 suitable for rough part no. 59556/000170



59556
Installation unit for 2-way diverter valve with wall outlet for shower hose DN 15
 Rough part for recessed installation



59556
2-way diverter valve DN 15
 Set complete with:
 handle, sleeve, rosette (round or square) and diverter valve
 suitable for rough part no. 59556/000070



59556
Installation unit for 2-way diverter valve DN 15
 Rough part for recessed installation



59556
2-way diverter valve with wall outlet for shower hose DN 15
 Set complete with:
 handle, casing, rosette (round or square) and diverter valve,
 intrinsically safe against backflow,
 suitable for rough part no. 59556/000170



59556
Installation unit for 2-way diverter valve with wall outlet for shower hose DN 15
 Rough part for recessed installation



59556
2-way diverter valve with wall outlet for shower hose and hand shower bracket DN 15
 Set complete with:
 handle, casing, rosette (round or square) and diverter valve,
 intrinsically safe against backflow,
 suitable for rough part no. 59556/000170



59556
Installation unit for 2-way diverter valve with wall outlet for shower hose DN 15
 Rough part for recessed installation



59548
3-way diverter valve DN 15
 Set complete with:
 handle, sleeve, rosette (round or square) and diverter valve
 suitable for rough part no. 59548/000070



59548
Installation unit for 3-way diverter valve DN 15
 Rough part for recessed installation



59548
3-way diverter valve with wall outlet for shower hose DN 15
 Set complete with:
 handle, casing, rosette (round or square) and diverter valve,
 intrinsically safe against backflow,
 suitable for rough part no. 59548/000170



59548
Installation unit for 3-way diverter valve with wall outlet for shower hose DN 15
 Rough part for recessed installation



59548
3-way diverter valve with wall outlet for shower hose and hand shower bracket DN 15
 Set complete with:
 handle, casing, rosette (round or square) and diverter valve,
 intrinsically safe against backflow,
 suitable for rough part no. 59548/000170



59548
Installation unit for 3-way diverter valve with wall outlet for shower hose DN 15
 Rough part for recessed installation



EDITION 11 EDITION 400 EDITION 300 ELEGANCE COLLECTION MOLL PLAN PLAN Blue

59551
Single lever mixer/handles
 specific handles suitable for rough part art. no. 59551/019501, 59551/019502



59916



51116



51616



51516

59916

Rough part

suitable for concealed single lever basin mixer, flexible arrangement of lever and spout possible during assembly

51116

Single lever basin mixer

concealed fitting DN 15, cartridge mixer with ceramic sealing gaskets and temperature control, aerator SLIM SSR M 24x1, adjustable flow angle, flow rate limited to 7,6 l/min. Projection: 187, 219, 265 mm (essential for installation: Rough part Article No. 59916 to be ordered separately)

51616

Single lever basin mixer

concealed fitting DN 15, cartridge mixer with ceramic sealing gaskets and temperature control, aerator SLIM SSR M 24x1, adjustable flow angle, flow rate limited to 7,6 l/min. Projection: 221 mm (essential for installation: Rough part Article No. 59916 to be ordered separately)

51516

Single lever basin mixer

concealed fitting DN 15, cartridge mixer with ceramic sealing gaskets and temperature control, aerator SLIM SSR M 24x1, adjustable flow angle, flow rate limited to 7,6 l/min. Projection: 187, 219, 265 mm (essential for installation: Rough part Article No. 59916 to be ordered separately)



In accordance with our manufacturer's guarantee declaration, we assume a guarantee of five years for our products, provided that the product was verifiably purchased and installed by a franchised trade dealer.

The guarantee period commences with the date of delivery ex works. The statutory warranty period is included in the guarantee period. This guarantee excludes electrical components and light bulbs.

The extraordinary surface characteristics and extremely fine colour nuances of our products can only be reproduced to a certain degree in print. Only the original KEUCO products, which can be viewed in sanitary trade dealers' showrooms, can provide you with an optimum impression.

Reproduction and copying, even if only excerpts, are only permitted by explicit permission of the manufacturer, and with the inclusion of source information
KEUCO GmbH & Co. KG, Postfach 1365, D-58653 Hemer

We reserve the right to make engineering changes for the purpose of improvement, as well as colour and design changes that are deemed necessary. Errors and omissions excepted.

Our articles are sold exclusively through sanitary wholesale.

Concept, design, text and lithography: KONTRAST Communication Services GmbH, Düsseldorf
Text: KEUCO, Kontrast Communication Services GmbH, Düsseldorf
Photography: Stephan Schacher, New York; Casa, Münster; provideo & fototeam, Menden
Printing: Meinders & Elstermann GmbH & Co. KG, Belm, Osnabrück
Printed on GALAXI Keramik. Supplied by Papier Union.

For more information please visit www.keuco.de

